

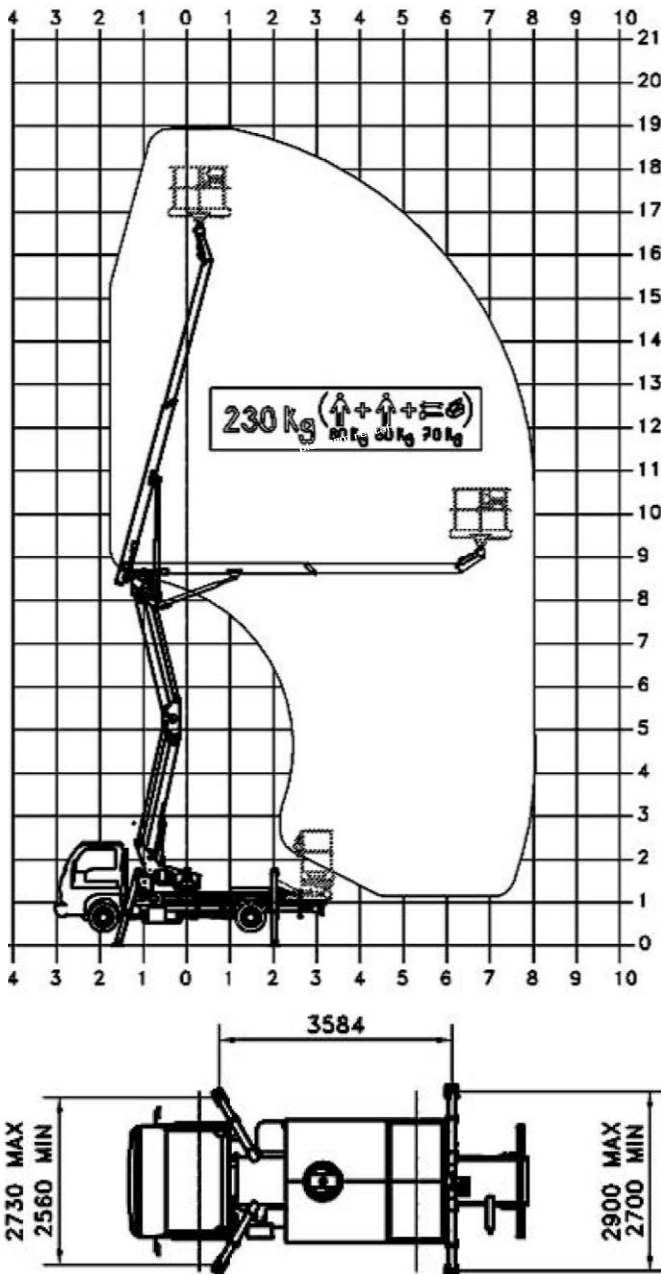
technical specification ▶▶▶

boom specification

- ▶ working height 19m (62ft)
- ▶ outreach limit 8m (26ft)
- ▶ load capacity 230kg (36st)
- ▶ 360 degree boom rotation

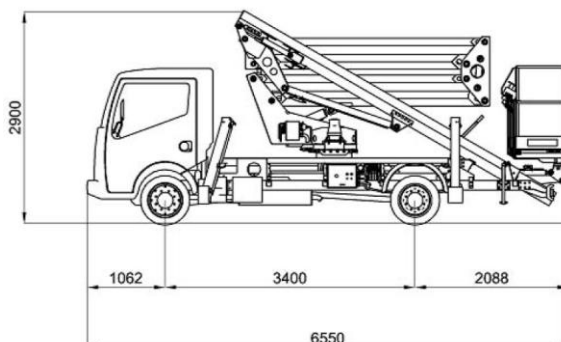
vehicle chassis

- ▶ nissan 2.5litre 130hp turbo diesel unit
- ▶ 3500kg GVW
- ▶ next generation cabstar cab



Z-19 ▶▶▶

Self-Drive Access



smart
▶▶▶ platform rental

tel: 0871 871 92 92 fax: 0871 871 93 93

www.smartplatforms.co.uk