

technical specification ▶▶▶

boom specification

- ▶ working height 13.5m (44ft)
- ▶ outreach limit 7m (23ft)
- ▶ load capacity 200kg
- ▶ 360 degree boom rotation

vehicle chassis

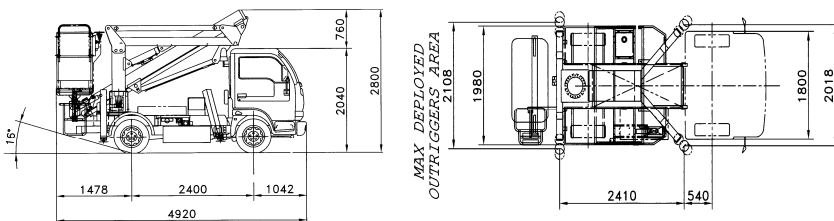
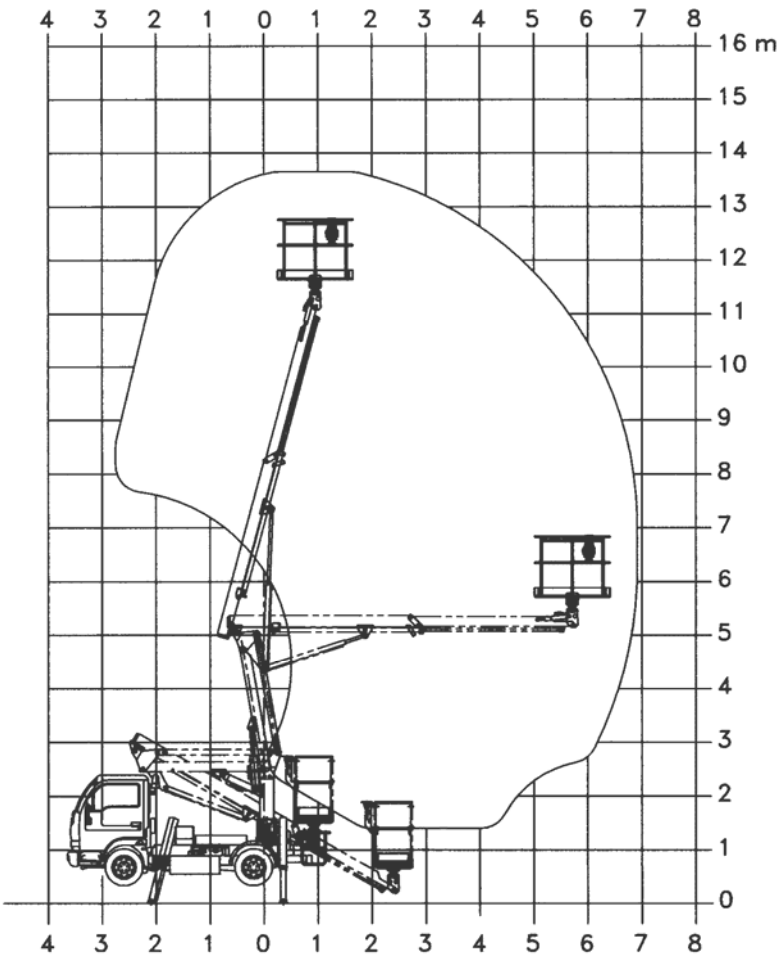
- ▶ nissan 120hp cabstar
- ▶ 2800kg GVW
- ▶ air conditioned

Z-14 ▶▶▶

Self-Drive Access



Smart
▶▶▶ platform rental



tel: 0871 871 92 92 fax: 0871 871 93 93

www.smartplatforms.co.uk