

technical specification ▶▶▶

boom specification

- ▶ working height 10.8m (35ft)
- ▶ outreach limit 4.4m (14ft)
- ▶ load capacity 200kg
- ▶ 360 degree boom rotation

vehicle chassis

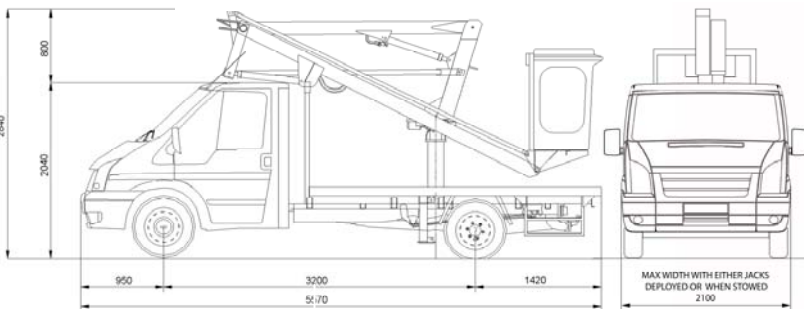
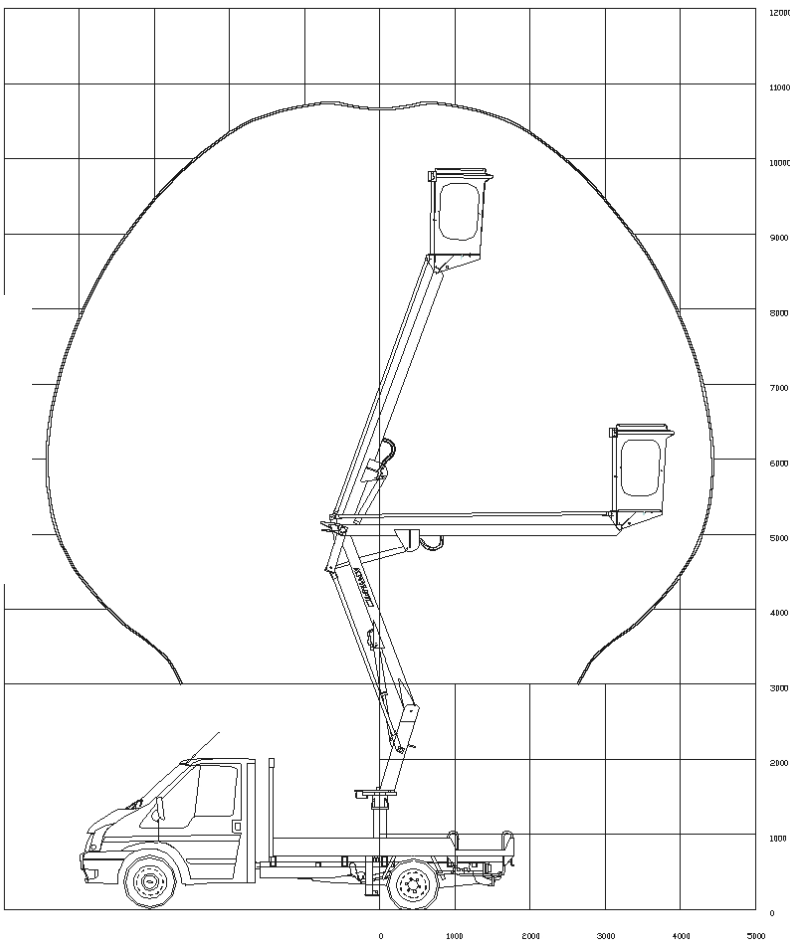
- ▶ Latest model Ford 2.4litre Transit
- ▶ 2600kg GVW
- ▶ Tool storage capacity

Z-10 ▶▶▶

Self-Drive Access



smart ▶▶▶ platform rental



tel: 0871 871 92 92 fax: 0871 871 93 93

www.smartplatforms.co.uk