

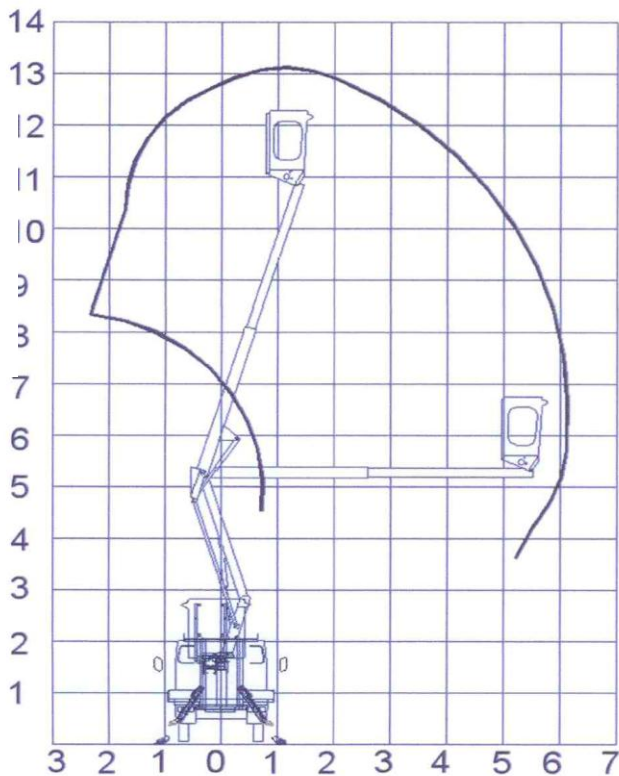
technical specification ▶▶▶

boom specification

- ▶ working height 13.10m (43ft)
- ▶ outreach limit 6.10m (20ft)
- ▶ load capacity 200kg (440lbs)
- ▶ 360 degree non-continuous boom rotation

vehicle chassis

- ▶ Santana chassis
- ▶ 2.8litre turbodiesel
- ▶ travelling length 4.95m (17ft)
- ▶ travelling height 2.85m (10ft)
- ▶ travelling width 2.10m (7ft)
- ▶ GVW 3100kg



RT-13 ▶▶▶ Self-Drive Access



Standard Features Include:

- ▶ GRP basket
- ▶ Basket loading safety system
- ▶ Vehicle engine stop/start from basket
- ▶ Pressure sensitive outrigger with visual and audible alarms
- ▶ Gearbox mounted PTO
- ▶ Emergency descent system and hand pump
- ▶ Lock valves on all cylinders

smart ▶▶▶ platform rental

